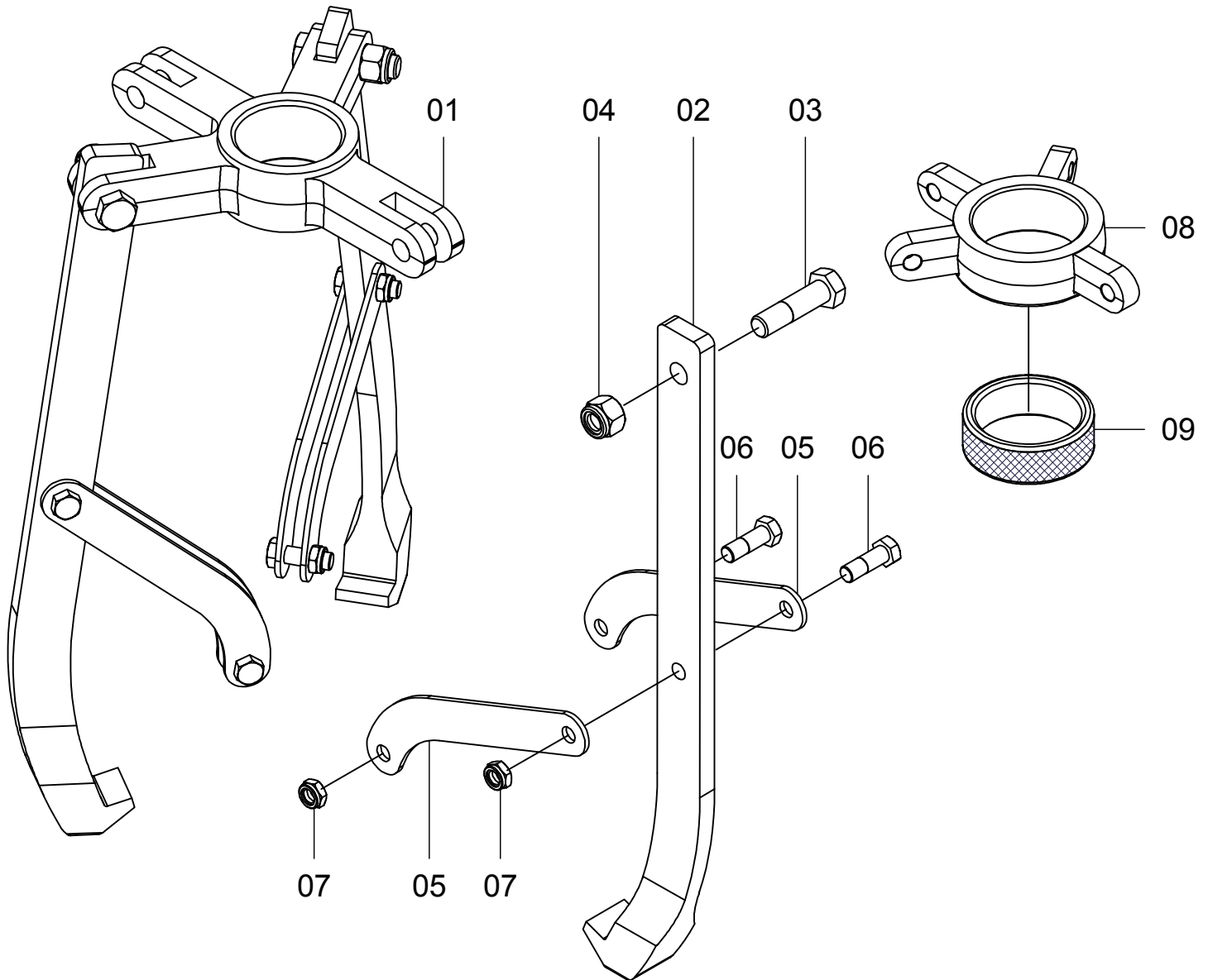


JAW ASSEMBLY

MODEL:JAE12T



REF NO.	PARTS NO.	DESCRIPTION	QTY
01	F0299	2/3-Way Puller Crosshead	1
02	C0888	Puller Jaw	3
03	H0280	Jaw Hex Screw	3
04	H0195	Anti-Loosen Nut	3
05	C0887	Puller Jaw Strap	6
06	H0278	Jaw Hex Screw	6
07	H0287	Anti-Loosen Nut	6
08	F0300	2/3-Way Sliding Socket	1
09	E1493	Fixed Ring	1
10	M0044	Safety Blanket	1