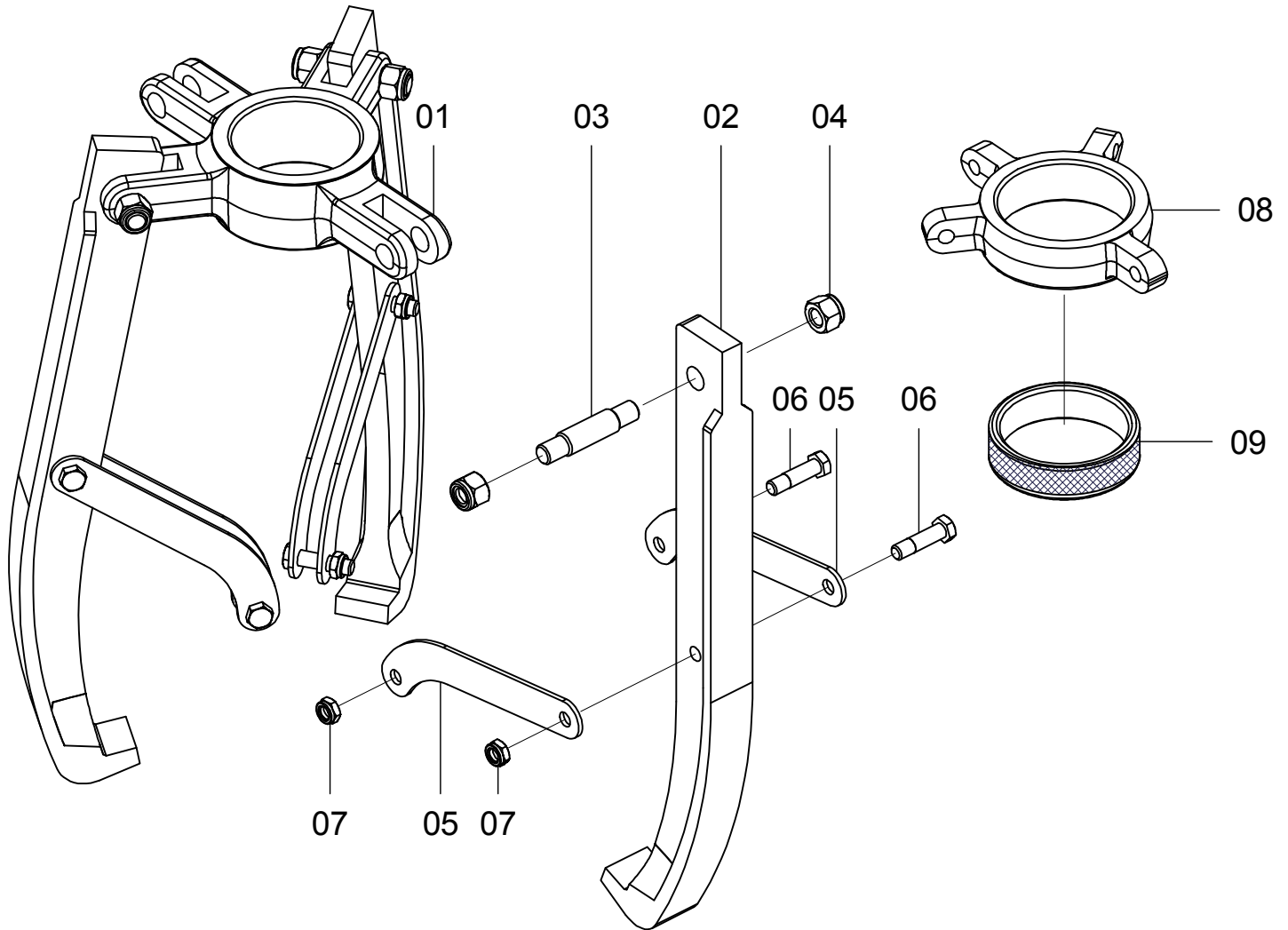


JAW ASSEMBLY MODEL:JAE20T



REF NO.	PARTS NO.	DESCRIPTION	QTY
01	F0305	2/3-Way Puller Crosshead	1
02	C0894	Puller Jaw	3
03	E0883	Jaw Screw	3
04	H0195	Anti-Loosen Nut	6
05	C0887	Puller Jaw Strap	6
06	H0274	Jaw Hex Screw	6
07	H0287	Anti-Loosen Nut	6
08	F0304	2/3-Way Sliding Socket	1
09	E1494	Fixed Ring	1
10	M0047	Safety Blanket	1