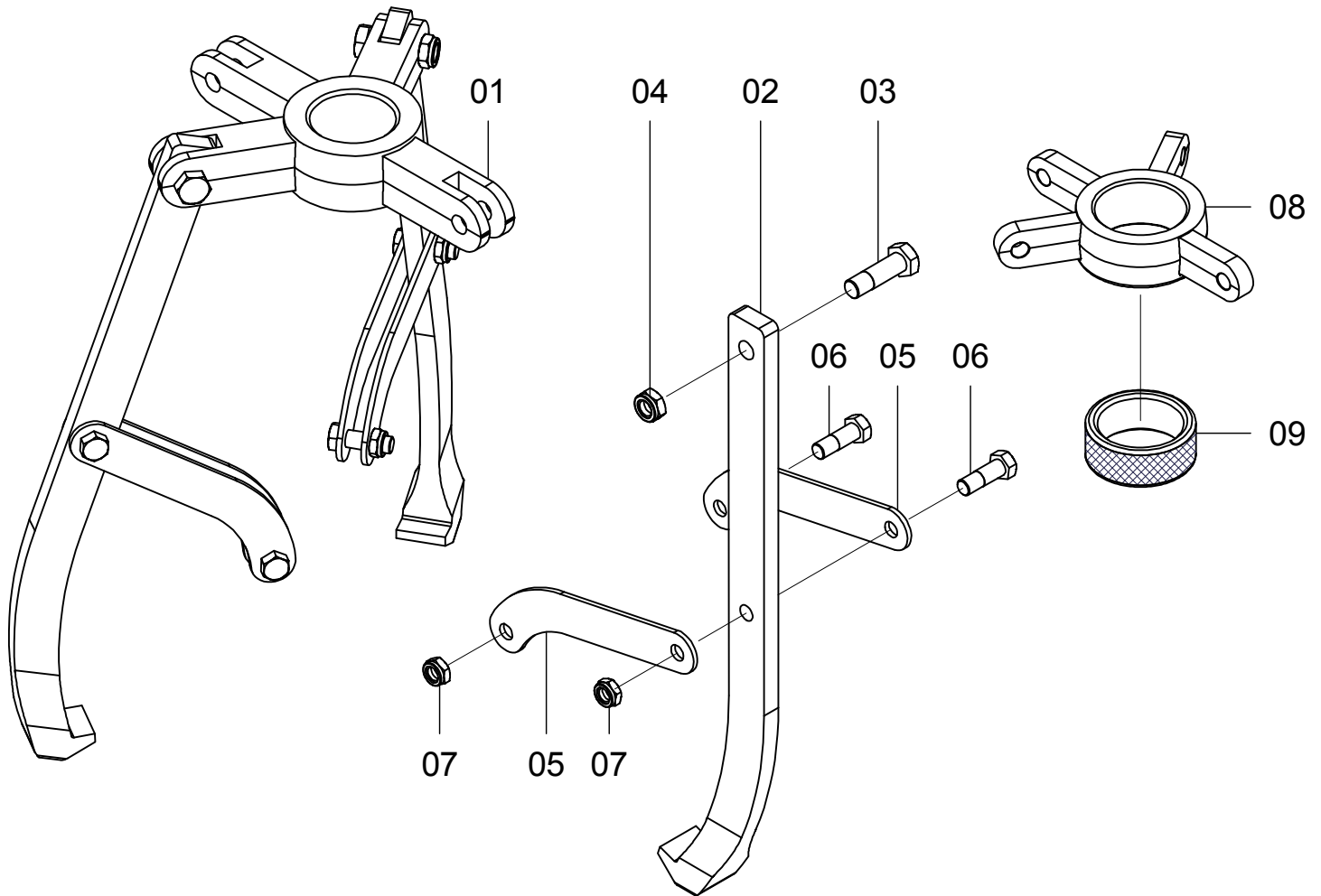


# JAW ASSEMBLY MODEL:JAE08T



REF NO.	PARTS NO.	DESCRIPTION	QTY
01	F0301	2/3-Way Puller Crosshead	1
02	C0890	Puller Jaw	3
03	H0277	Jaw Hex Screw	3
04	H0279	Anti-Loose Nut	3
05	C0891	Puller Jaw Strap	6
06	H0278	Jaw Hex Screw	6
07	H0287	Anti-Loosen Nut	6
08	F0298	2/3-Way Sliding Socket	1
09	E0999	Fixed Ring	1
10	M0044	Safety Blanket	1