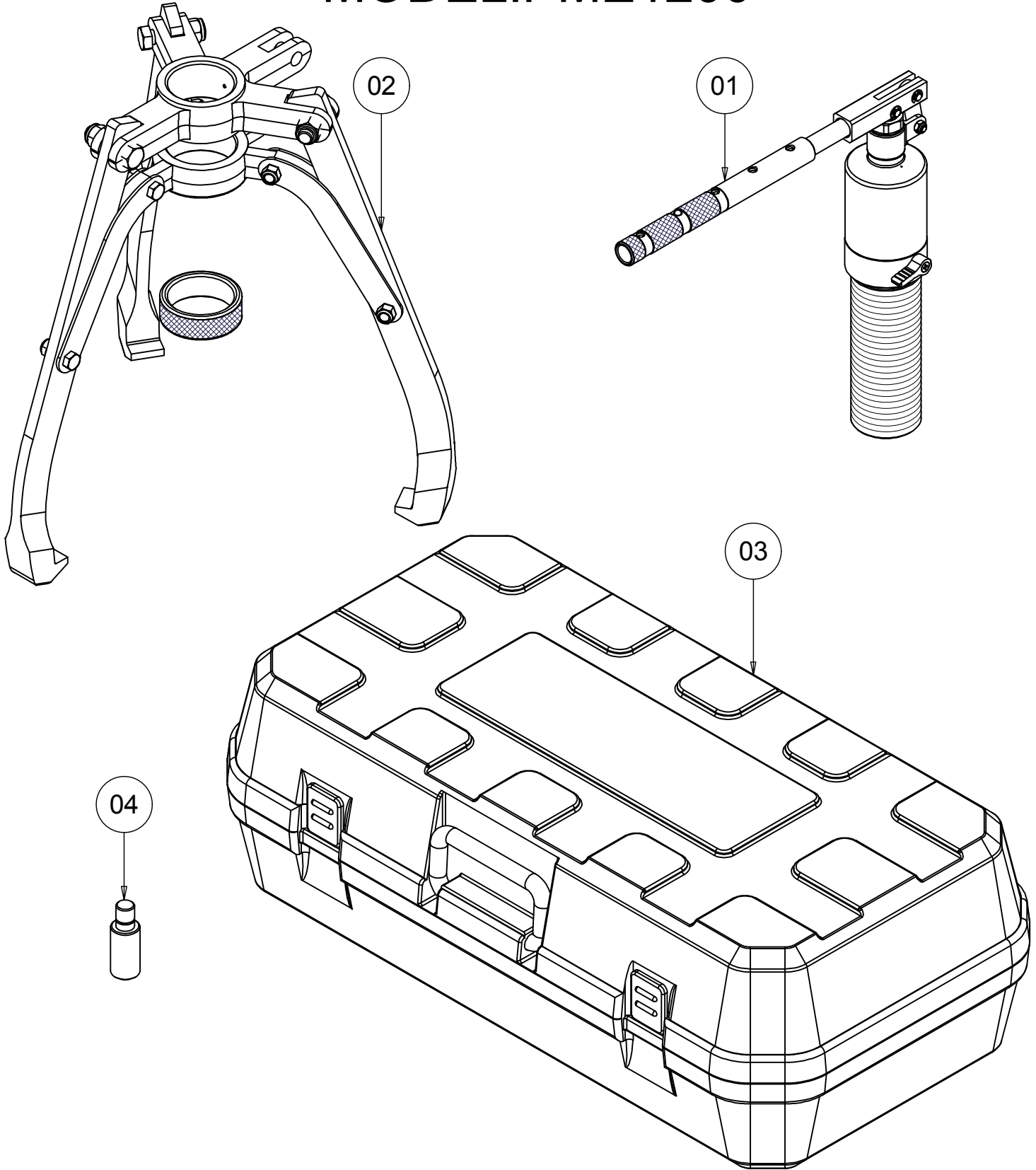


# HYDRAULIC EASY PULLER MODEL:PME1200



REF NO.	PARTS NO.	DESCRIPTION	QTY
01	PM12R	Puller Body	1
02	JAE12T	Jaw Assembly	1
03	G0861	Blow Molded Case	1
04	B1128	Extension Bar	4