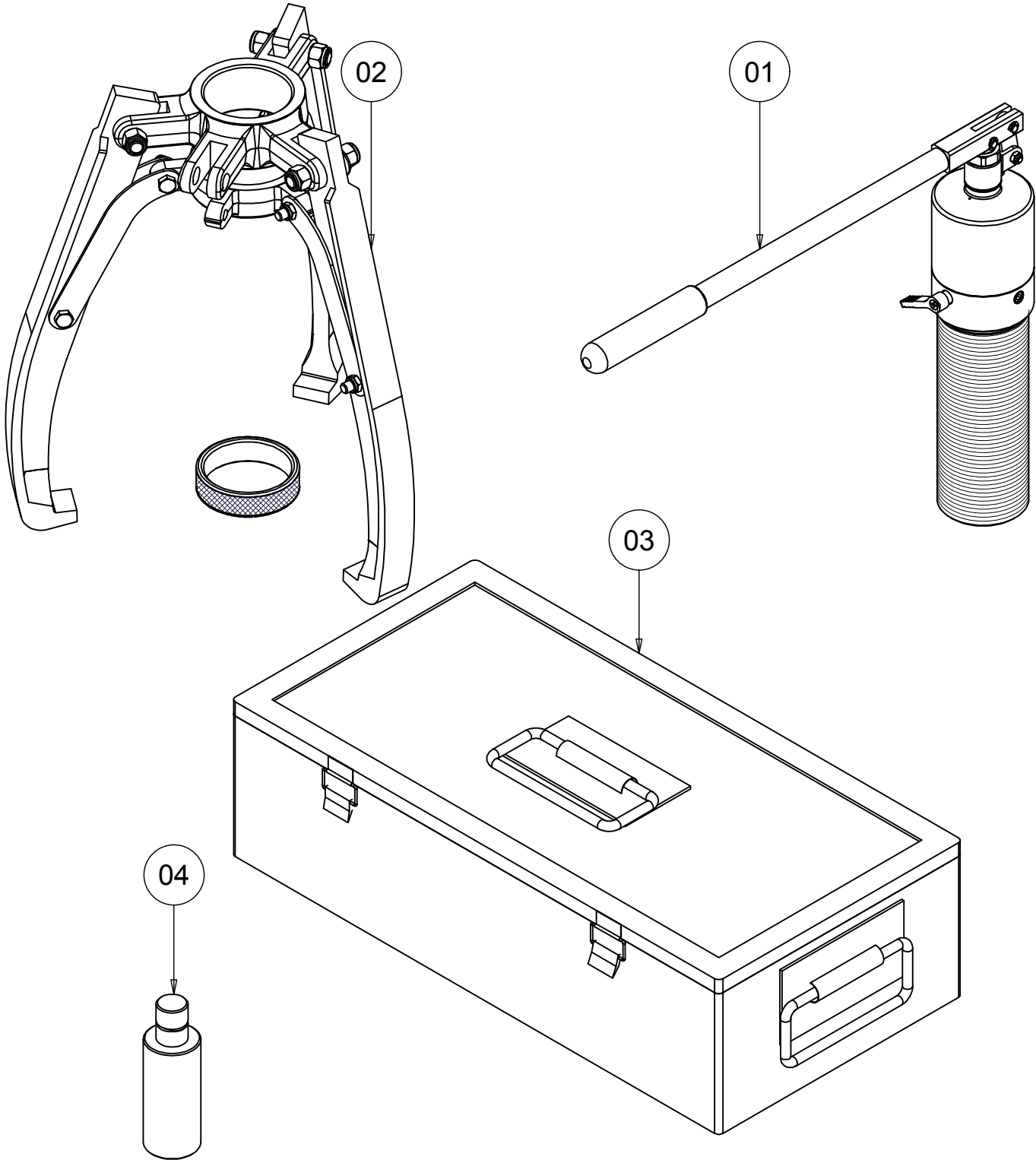


# HYDRAULIC EASY PULLER MODEL:PME2000



REF NO.	PARTS NO.	DESCRIPTION	QTY
01	PM20R	Puller Body	1
02	JAE20T	Jaw Assembly	1
03	B0744	Metal Box	1
04	B1129	Extension Bar	1