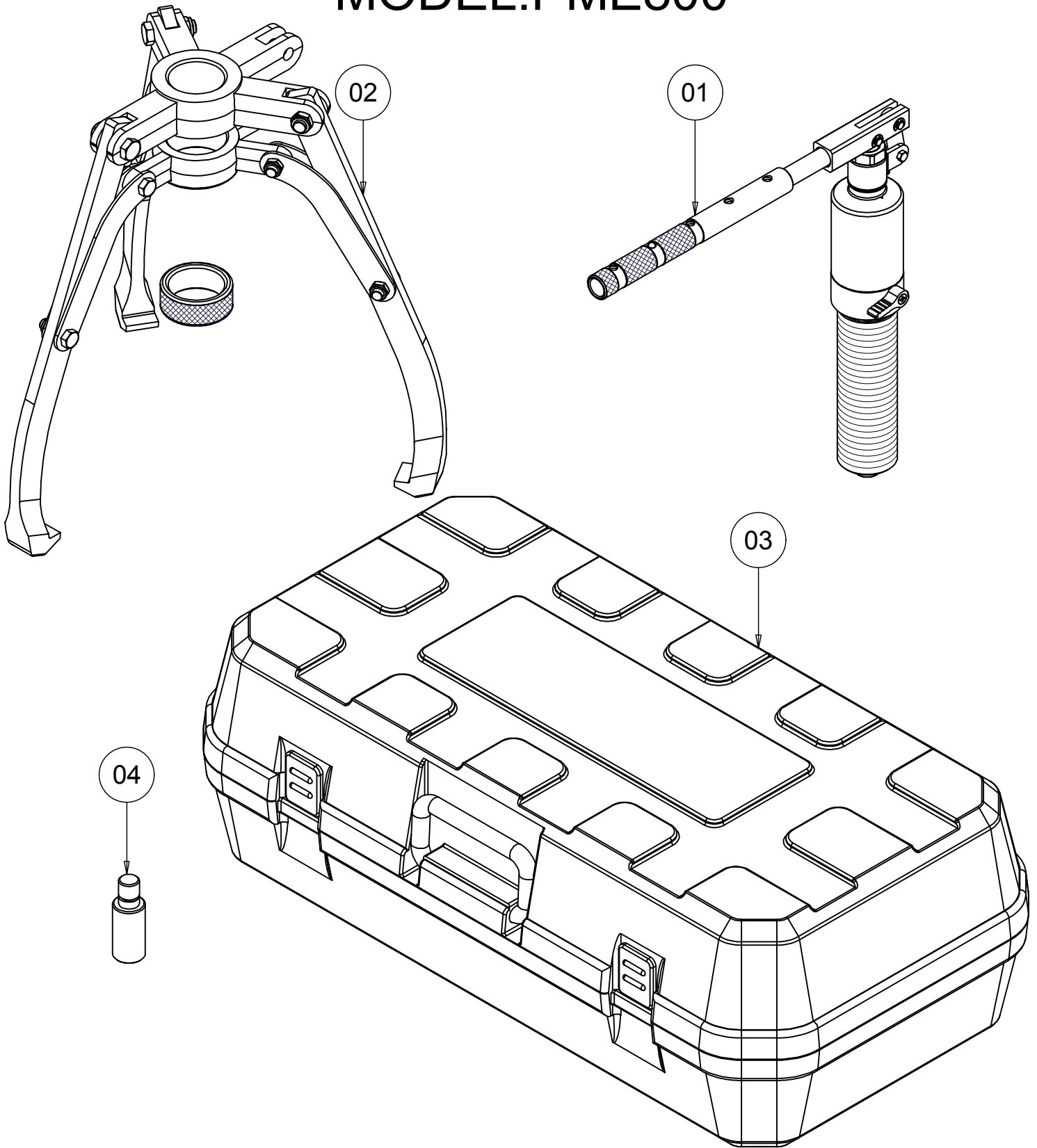


HYDRAULIC EASY PULLER MODEL:PME800



| REF NO. | PARTS NO. | DESCRIPTION | QTY |
|---------|-----------|------------------|-----|
| 01 | PM08R | Puller Body | 1 |
| 02 | JAE08T | Jaw Assembly | 1 |
| 03 | G0861 | Blow Molded Case | 1 |
| 04 | B1128 | Extension Bar | 3 |