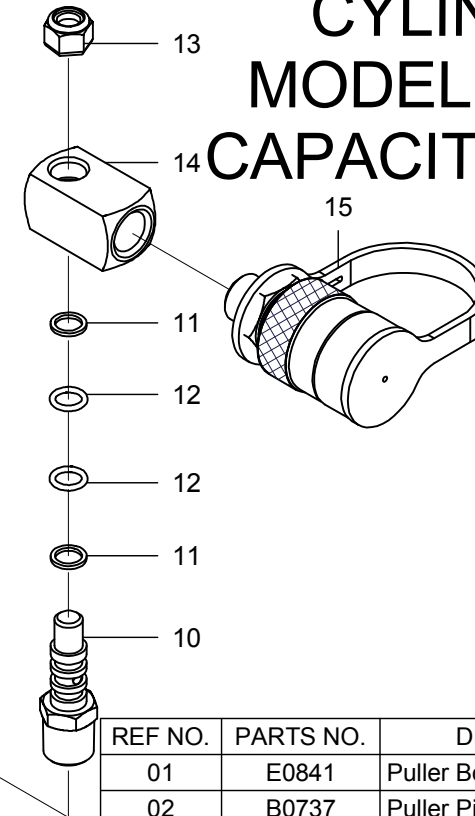
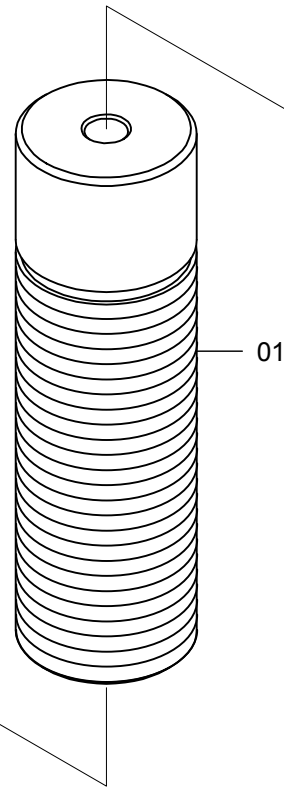
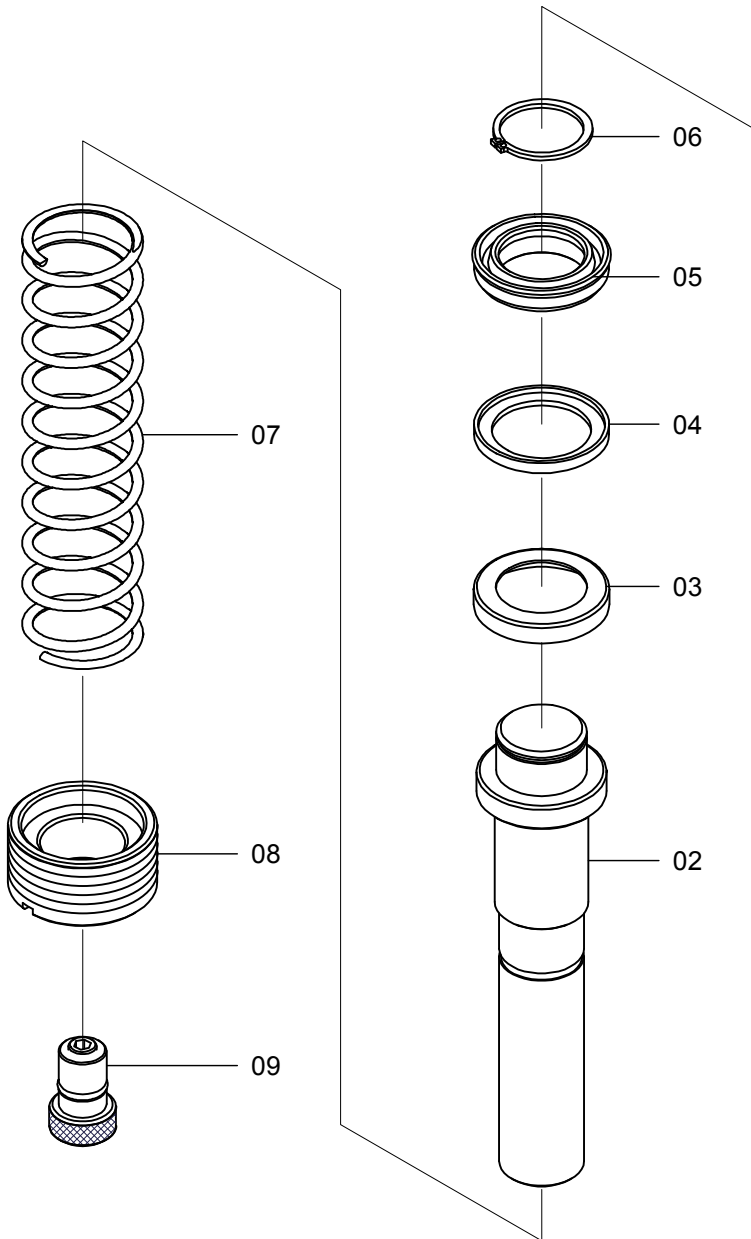


# HYDRAULIC PULLER CYLINDER MODEL:PR12R CAPACITY:12 Ton



REF NO.	PARTS NO.	DESCRIPTION	QTY
01	E0841	Puller Body	1
02	B0737	Puller Piston Rod	1
03	M0002	Brass Bushing	1
04	☆ G0013	Back-Up Ring	1
05	☆ G0012	U-Cup Seal	1
06	I0015	Retaining Ring	1
07	J0175	Compression Spring	1
08	E0839	Rod Wiper	1
09	B0683	Removable Cone Assembly	1
10	L0087	Oil Pressure Valve Assy	1
11	☆ G0072	Back-Up Ring	2
12	☆ GA053	O-Ring	2
13	H0019	Anti-Loosen Nut	1
14	L0036	Coupler Body	1
15	CP331	Coupler	1

☆ Items included in Repair kit