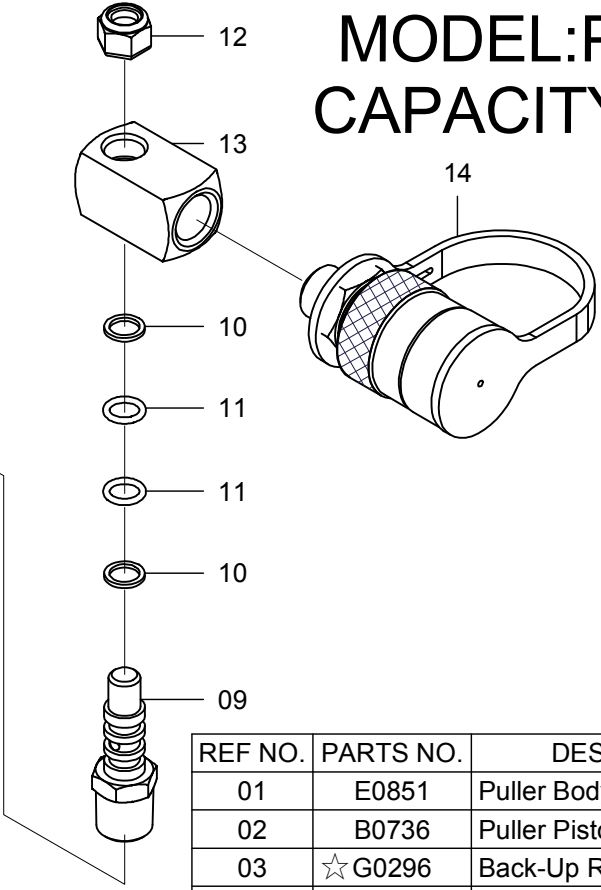
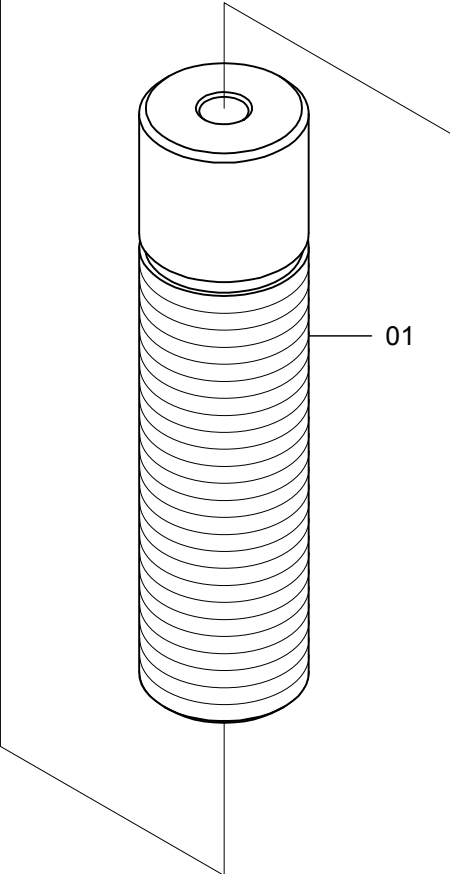
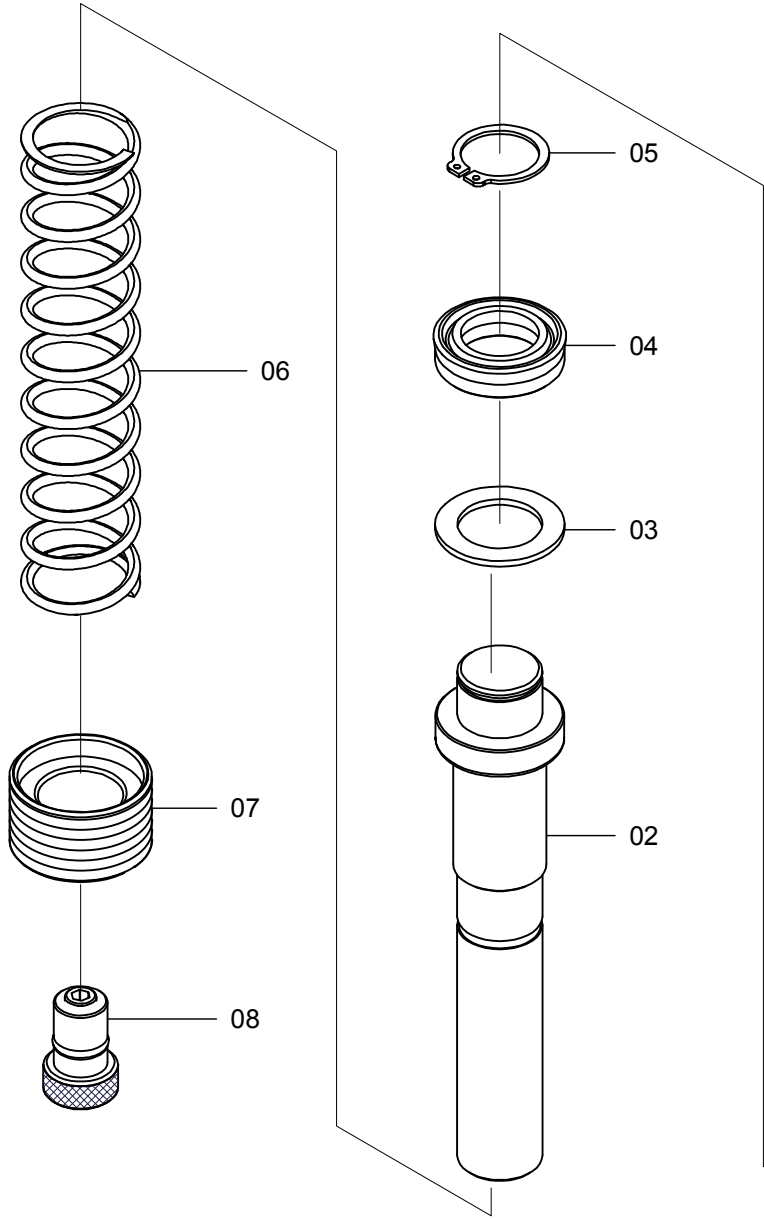


HYDRAULIC PULLER CYLINDER MODEL:PR08R CAPACITY:8 Ton



REF NO.	PARTS NO.	DESCRIPTION	QTY
01	E0851	Puller Body	1
02	B0736	Puller Piston Rod	1
03	☆G0296	Back-Up Ring	1
04	☆G0295	U-Cup Seal	1
05	I0010	Retaining Ring	1
06	J0179	Compression Spring	1
07	E0850	Rod Wiper	1
08	B0683	Removable Cone Assembly	1
09	L0087	Oil Pressure Valve Assy	1
10	☆G0072	Back-Up Ring	2
11	☆GA053	O-Ring	2
12	H0019	Anti-Loosen Nut	1
13	L0036	Coupler Body	1
14	CP331	Coupler	1

☆ Items included in Repair kit JR/PR/990318