

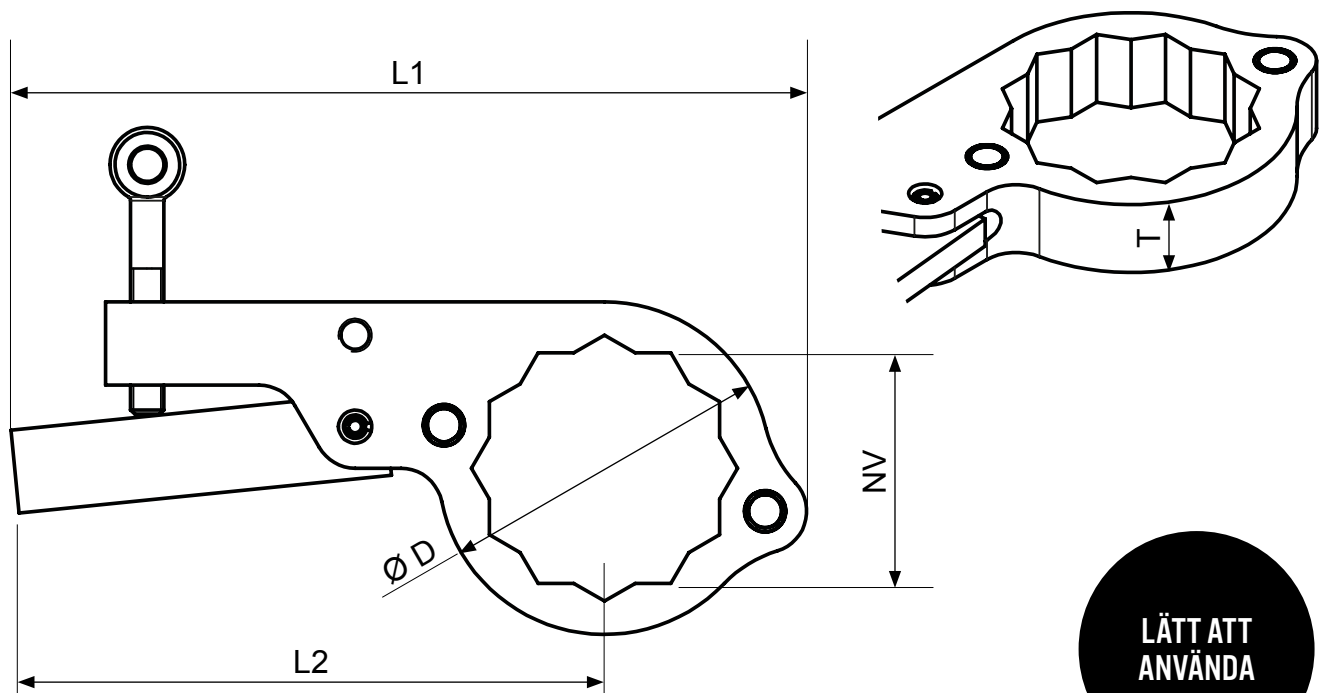
TILLBEHÖR MOMENTVERKTYG





MOTHÅLLSNYCKEL (BUW)

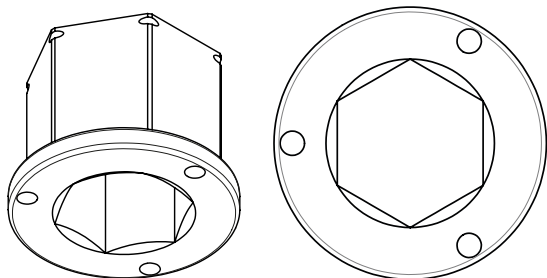
BUW är både en enkel och genial mothållsnyckel. Den är försedd med magneter som hjälper till att hålla den på plats. Den kan också säkras genom att man trär en wire genom öglan på skruven.



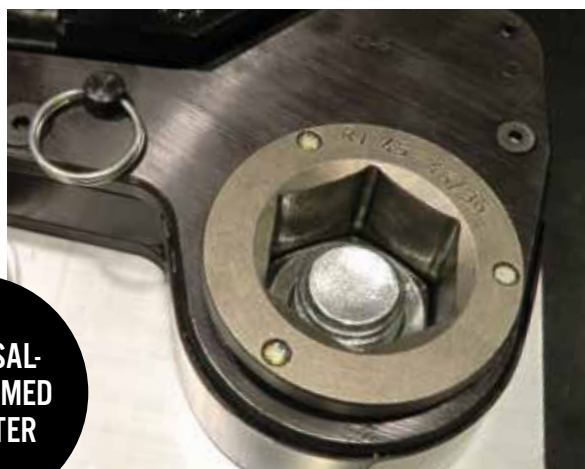
| L1 (mm) | L2 (mm) | D (mm) | T (mm) | Vikt (kg) | Art.nr (mm) | NV (mm) | Art.nr (tum) | NV (tum) |
|---------|---------|--------|--------|-----------|------------------|---------|------------------|----------|
| 144 | 110 | 54 | 15 | 0,4 | BUW 36 | 36 | BUW 1 7/16 | 1 7/16 |
| 152 | 115 | 62 | 15 | 0,5 | BUW 41 | 41 | BUW 1 5/8 | 1 5/8 |
| 180 | 138 | 68 | 20 | 0,8 | BUW 46 = 1 13/16 | 46 | BUW 46 = 1 13/16 | 1 13/16 |
| 187 | 141 | 75 | 20 | 0,9 | BUW 50 | 50 | BUW 2 | 2 |
| 191 | 143 | 80 | 20 | 0,9 | BUW 55 | 55 | BUW 2 3/16 | 2 3/16 |
| 199 | 148 | 86 | 20 | 1,0 | BUW 60 | 60 | BUW 2 3/8 | 2 3/8 |
| 219 | 163 | 96 | 25 | 1,0 | BUW 65 = 2 9/16 | 65 | BUW 65 = 2 9/16 | 2 9/16 |
| 245 | 184 | 102 | 25 | 1,9 | BUW 70 = 2 3/4 | 70 | BUW 70 = 2 3/4 | 2 3/4 |
| 255 | 190 | 110 | 25 | 2,1 | BUW 75 | 75 | BUW 2 15/16 | 2 15/16 |
| 261 | 192 | 118 | 25 | 2,2 | BUW 80 | 80 | BUW 3 1/8 | 3 1/8 |
| 320 | 235 | 140 | 30 | 4,0 | BUW 95 = 3 3/4 | 95 | BUW 95 = 3 3/4 | 3 3/4 |

REDUCERINGSINSATSER (RI)

Med Momentos reduceringsinsats ger du ditt kassettverktyg ett mycket större användningsområde och du kan använda verktyget på flera olika skruvdimensioner. Våra reduceringsinsatser finns i flera olika längder så du kan hitta hylsor som passar dina olika verktyg.

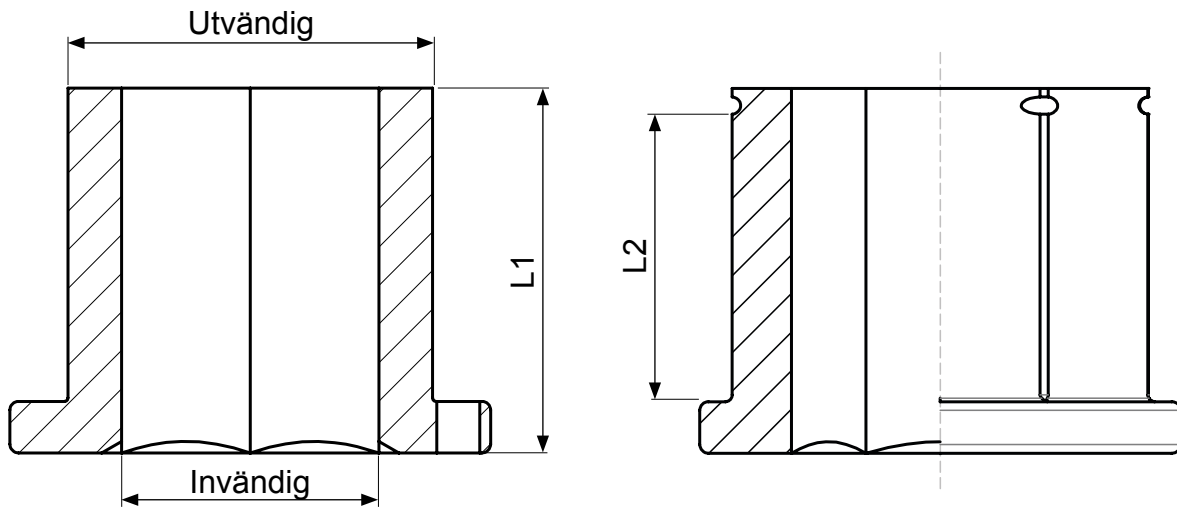


**UNIVERSAL-
LÅSNING MED
MAGNETER**



| Utvändig (mm) | Invändig (mm) | Art.nr (mm) | L1 (mm) | L2 (mm) | Art.nr (mm) | L1 (mm) | L2 (mm) | Art.nr (mm) | L1 (mm) | L2 (mm) | Art.nr (mm) | Utvändig (mm) | Invändig (mm) | L1 (mm) | L2 (mm) |
|---------------|---------------|-------------|---------|---------|-------------|---------|---------|-------------|---------|---------|--------------|---------------|---------------|---------|---------|
| 41 | 36 | RI45-41/36 | 45 | 33 | RI55-41/36 | 55 | 42 | - | - | - | RI85-80/75 | 80 | 75 | 85 | 67 |
| 41 | 32 | RI45-41/32 | 45 | 33 | - | - | - | - | - | - | RI85-80/70 | 80 | 70 | 85 | 67 |
| 41 | 30 | RI45-41/30 | 45 | 33 | - | - | - | - | - | - | RI85-80/65 | 80 | 65 | 85 | 67 |
| 46 | 41 | RI45-46/41 | 45 | 33 | - | - | - | - | - | - | RI85-85/80 | 85 | 80 | 85 | 67 |
| 46 | 36 | RI45-46/36 | 45 | 33 | - | - | - | - | - | - | RI85-85/75 | 85 | 75 | 85 | 67 |
| 46 | 32 | RI45-46/32 | 45 | 33 | - | - | - | - | - | - | RI85-85/70 | 85 | 70 | 85 | 67 |
| 50 | 46 | RI45-50/46 | 45 | 33 | RI55-50/46 | 55 | 42 | - | - | - | RI85-90/85 | 90 | 85 | 85 | 67 |
| 50 | 41 | RI45-50/41 | 45 | 33 | RI55-50/41 | 55 | 42 | - | - | - | RI85-90/80 | 90 | 80 | 85 | 67 |
| 50 | 36 | RI45-50/36 | 45 | 33 | RI55-50/36 | 55 | 42 | - | - | - | RI85-90/75 | 90 | 75 | 85 | 67 |
| 55 | 50 | RI45-55/50 | 45 | 33 | RI55-55/50 | 55 | 42 | RI70-55/50 | 70 | 55 | RI85-95/90 | 95 | 90 | 85 | 67 |
| 55 | 46 | RI45-55/46 | 45 | 33 | RI55-55/46 | 55 | 42 | RI70-55/46 | 70 | 55 | RI85-95/85 | 95 | 85 | 85 | 67 |
| 55 | 41 | RI45-55/41 | 45 | 33 | RI55-55/41 | 55 | 42 | RI70-55/41 | 70 | 55 | RI85-95/80 | 95 | 80 | 85 | 67 |
| 60 | 55 | RI45-60/55 | 45 | 33 | RI55-60/55 | 55 | 42 | RI70-60/55 | 70 | 55 | RI85-100/95 | 100 | 95 | 85 | 67 |
| 60 | 50 | RI45-60/50 | 45 | 33 | RI55-60/50 | 55 | 42 | RI70-60/50 | 70 | 55 | RI85-100/90 | 100 | 90 | 85 | 67 |
| 60 | 46 | RI45-60/46 | 45 | 33 | RI55-60/46 | 55 | 42 | RI70-60/46 | 70 | 55 | RI85-100/85 | 100 | 85 | 85 | 67 |
| 65 | 60 | - | - | - | RI55-65/60 | 55 | 42 | RI70-65/60 | 70 | 55 | RI85-105/100 | 105 | 100 | 85 | 67 |
| 65 | 55 | - | - | - | RI55-65/55 | 55 | 42 | RI70-65/55 | 70 | 55 | RI85-105/95 | 105 | 95 | 85 | 67 |
| 65 | 50 | - | - | - | RI55-65/50 | 55 | 42 | RI70-65/50 | 70 | 55 | RI85-105/90 | 105 | 90 | 85 | 67 |
| 70 | 65 | - | - | - | RI55-70/65 | 55 | 42 | RI70-70/65 | 70 | 55 | RI85-110/105 | 110 | 105 | 85 | 67 |
| 70 | 60 | - | - | - | RI55-70/60 | 55 | 42 | RI70-70/60 | 70 | 55 | RI85-110/100 | 110 | 100 | 85 | 67 |
| 70 | 55 | - | - | - | RI55-70/55 | 55 | 42 | RI70-70/55 | 70 | 55 | RI85-110/95 | 110 | 95 | 85 | 67 |
| 75 | 70 | - | - | - | RI55-75/70 | 55 | 42 | RI70-75/70 | 70 | 55 | RI85-115/110 | 115 | 110 | 85 | 67 |
| 75 | 65 | - | - | - | RI55-75/65 | 55 | 42 | RI70-75/65 | 70 | 55 | RI85-115/105 | 115 | 105 | 85 | 67 |
| 75 | 60 | - | - | - | RI55-75/60 | 55 | 42 | RI70-75/60 | 70 | 55 | RI85-115/100 | 115 | 100 | 85 | 67 |
| 80 | 75 | - | - | - | RI55-80/75 | 55 | 42 | RI70-80/75 | 70 | 55 | RI85-120/115 | 120 | 115 | 85 | 67 |
| 80 | 70 | - | - | - | RI55-80/70 | 55 | 42 | RI70-80/70 | 70 | 55 | RI85-120/110 | 120 | 110 | 85 | 67 |
| 80 | 65 | - | - | - | RI55-80/65 | 55 | 42 | RI70-80/65 | 70 | 55 | RI85-120/105 | 120 | 105 | 85 | 67 |
| 85 | 80 | - | - | - | - | - | - | RI70-85/80 | 70 | 55 | RI85-125/120 | 125 | 120 | 85 | 67 |
| 85 | 75 | - | - | - | - | - | - | RI70-85/75 | 70 | 55 | RI85-125/115 | 125 | 115 | 85 | 67 |
| 85 | 70 | - | - | - | - | - | - | RI70-85/70 | 70 | 55 | RI85-125/110 | 125 | 110 | 85 | 67 |
| 90 | 85 | - | - | - | - | - | - | RI70-90/85 | 70 | 55 | RI85-130/125 | 130 | 125 | 85 | 67 |
| 90 | 80 | - | - | - | - | - | - | RI70-90/80 | 70 | 55 | RI85-130/120 | 130 | 120 | 85 | 67 |
| 90 | 75 | - | - | - | - | - | - | RI70-90/75 | 70 | 55 | RI85-130/115 | 130 | 115 | 85 | 67 |
| 95 | 90 | - | - | - | - | - | - | RI70-95/90 | 70 | 55 | - | - | - | - | - |
| 95 | 85 | - | - | - | - | - | - | RI70-95/85 | 70 | 55 | - | - | - | - | - |
| 95 | 80 | - | - | - | - | - | - | RI70-95/80 | 70 | 55 | - | - | - | - | - |
| 100 | 95 | - | - | - | - | - | - | RI70-100/95 | 70 | 55 | - | - | - | - | - |
| 100 | 90 | - | - | - | - | - | - | RI70-100/90 | 70 | 55 | - | - | - | - | - |
| 100 | 85 | - | - | - | - | - | - | RI70-100/85 | 70 | 55 | - | - | - | - | - |

Andra storlekar eller adaptrar från tum till metrisk och metrisk till tum på begäran.

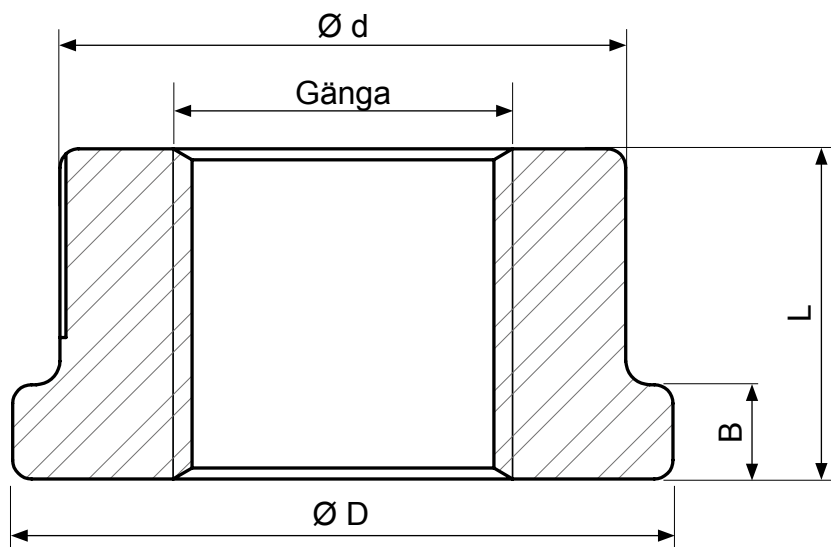


| Art.nr (tum) | Utvändig (tum) | Invändig (tum) | L1 (mm) | L2 (mm) | Art.nr (tum) | Utvändig (tum) | Invändig (tum) | L1 (mm) | L2 (mm) |
|---------------|----------------|----------------|---------|---------|---------------|----------------|----------------|---------|---------|
| RI45 107/104F | 1 7/16 | 1 1/4 | 45 | 33 | RI55 113/110F | 1 13/16 | 1 5/8 | 55 | 42 |
| RI45 110/107F | 1 5/8 | 1 7/16 | 45 | 33 | RI55 200/113F | 2 | 1 13/16 | 55 | 42 |
| RI45 110/104F | 1 5/8 | 1 1/4 | 45 | 33 | RI55 200/110F | 2 | 1 5/8 | 55 | 42 |
| RI45 113/110F | 1 13/16 | 1 5/8 | 45 | 33 | RI55 203/200F | 2 3/16 | 2 | 55 | 42 |
| RI45 113/107F | 1 13/16 | 1 7/16 | 45 | 33 | RI55 203/113F | 2 3/16 | 1 13/16 | 55 | 42 |
| RI45 200/113F | 2 | 1 13/16 | 45 | 33 | RI55 206/203F | 2 3/8 | 2 3/16 | 55 | 42 |
| RI45 200/110F | 2 | 1 5/8 | 45 | 33 | RI55 206/200F | 2 3/8 | 2 | 55 | 42 |
| RI45 203/200F | 2 3/16 | 2 | 45 | 33 | RI55 209/206F | 2 9/16 | 2 3/8 | 55 | 42 |
| RI45 203/113F | 2 3/16 | 1 13/16 | 45 | 33 | RI55 209/203F | 2 9/16 | 2 3/16 | 55 | 42 |
| RI45 206/203F | 2 3/8 | 2 3/16 | 45 | 33 | RI55 212/209F | 2 3/4 | 2 9/16 | 55 | 42 |
| RI45 206/200F | 2 3/8 | 2 | 45 | 33 | RI55 212/206F | 2 3/4 | 2 3/8 | 55 | 42 |
| - | - | - | - | - | RI55 215/212F | 2 15/16 | 2 3/4 | 55 | 42 |
| - | - | - | - | - | RI55 215/209F | 2 15/16 | 2 9/16 | 55 | 42 |
| - | - | - | - | - | RI55 302/215F | 3 1/8 | 2 15/16 | 55 | 42 |
| - | - | - | - | - | RI55 302/212F | 3 1/8 | 2 3/4 | 55 | 42 |

| Art.nr (tum) | Utvändig (tum) | Invändig (tum) | L1 (mm) | L2 (mm) | Art.nr (tum) | Utvändig (tum) | Invändig (tum) | L1 (mm) | L2 (mm) |
|---------------|----------------|----------------|---------|---------|---------------|----------------|----------------|---------|---------|
| RI70 203/200F | 2 3/16 | 2 | 70 | 55 | RI85 302/215F | 3 1/8 | 2 15/16 | 85 | 67 |
| RI70 203/113F | 2 3/16 | 1 13/16 | 70 | 55 | RI85 302/212F | 3 1/8 | 2 3/4 | 85 | 67 |
| RI70 206/203F | 2 3/8 | 2 3/16 | 70 | 55 | RI85 306/302F | 3 3/8 | 3 1/8 | 85 | 67 |
| RI70 206/200F | 2 3/8 | 2 | 70 | 55 | RI85 306/300F | 3 3/8 | 3 | 85 | 67 |
| RI70 209/206F | 2 9/16 | 2 3/8 | 70 | 55 | RI85 308/302F | 3 1/2 | 3 1/8 | 85 | 67 |
| RI70 209/203F | 2 9/16 | 2 3/16 | 70 | 55 | RI85 308/300F | 3 1/2 | 3 | 85 | 67 |
| RI70 212/209F | 2 3/4 | 2 9/16 | 70 | 55 | RI85 312/308F | 3 3/4 | 3 1/2 | 85 | 67 |
| RI70 212/206F | 2 3/4 | 2 3/8 | 70 | 55 | RI85 312/306F | 3 3/4 | 3 3/8 | 85 | 67 |
| RI70 215/212F | 2 15/16 | 2 3/4 | 70 | 55 | RI85 314/308F | 3 7/8 | 3 1/2 | 85 | 67 |
| RI70 215/209F | 2 15/16 | 2 9/16 | 70 | 55 | RI85 314/306F | 3 7/8 | 3 3/8 | 85 | 67 |
| RI70 300/212F | 3 | 2 3/4 | 70 | 55 | RI85 402/314F | 4 1/8 | 3 7/8 | 85 | 67 |
| RI70 300/209F | 3 | 2 9/16 | 70 | 55 | RI85 402/312F | 4 1/8 | 3 3/4 | 85 | 67 |
| RI70 302/215F | 3 1/8 | 2 15/16 | 70 | 55 | RI85 404/314F | 4 1/4 | 3 7/8 | 85 | 67 |
| RI70 302/212F | 3 1/8 | 2 3/4 | 70 | 55 | RI85 404/312F | 4 1/4 | 3 3/4 | 85 | 67 |
| RI70 306/300F | 3 3/8 | 3 | 70 | 55 | RI85 410/404F | 4 5/8 | 4 1/4 | 85 | 67 |
| RI70 306/215F | 3 3/8 | 2 15/16 | 70 | 55 | RI85 410/402F | 4 5/8 | 4 1/8 | 85 | 67 |
| RI70 308/302F | 3 1/2 | 3 1/8 | 70 | 55 | RI85 500/410F | 5 | 4 5/8 | 85 | 67 |
| RI70 308/300F | 3 1/2 | 3 | 70 | 55 | RI85 500/404F | 5 | 4 1/4 | 85 | 67 |
| RI70 312/308F | 3 3/4 | 3 1/2 | 70 | 55 | RI85 410/314F | 4 5/8 | 3 7/8 | 85 | 67 |
| RI70 312/306F | 3 3/4 | 3 3/8 | 70 | 55 | RI85 410/312F | 4 5/8 | 3 3/4 | 85 | 67 |
| RI70 314/308F | 3 7/8 | 3 1/2 | 70 | 55 | - | - | - | - | - |
| RI70 314/306F | 3 7/8 | 3 3/8 | 70 | 55 | - | - | - | - | - |

SÄKERHETSMUTTER (SN)

Det här är ingen vanlig mutter! Med den kan du hålla fast ditt kassettverktyg eller säkra upp din mothållsnyckel. Våra säkerhetsmuttrar tillverkas i aluminium för att hålla en låg vikt och en god livslängd. De har en stor tolerans på gängan så att det går lätt att skruva på och av muttrarna.

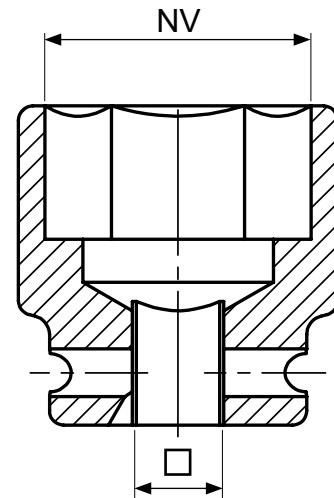


| D (mm) | d (mm) | L (mm) | B (mm) | Art.nr (mm) | NV (mm) | Gänga (mm) | Art.nr (tum) | NV (tum) | Gänga (tum) |
|--------|--------|--------|--------|-------------|---------|------------|--------------|----------|-------------|
| 45 | 45 | 35 | - | SN24 | 36 | M 24 | SN 7/8 | 1 7/16 | 7/8 |
| 52 | 45 | 35 | 10 | SN27 | 41 | M 27 | SN1 | 1 5/8 | 1 |
| 58 | 55 | 35 | 10 | SN30 | 46 | M 30 | SN1 1/8 | 1 13/16 | 1 1/8 |
| 63 | 55 | 35 | 10 | SN33 | 50 | M 33 | SN1 1/4 | 2 | 1 1/4 |
| 70 | 60 | 40 | 15 | SN36 | 55 | M 36 | SN 1 3/8 | 2 3/16 | 1 3/8 |
| 75 | 60 | 40 | 15 | SN39 | 60 | M 39 | SN 1 1/2 | 2 3/8 | 1 1/2 |
| 82 | 65 | 40 | 15 | SN42 | 65 | M 42 | SN 1 5/8 | 2 9/16 | 1 5/8 |
| 88 | 70 | 45 | 20 | SN45 | 70 | M 45 | SN 1 3/4 | 2 3/4 | 1 3/4 |
| 95 | 70 | 45 | 20 | SN48 | 75 | M 48 | SN 1 7/8 | 2 15/16 | 1 7/8 |
| 100 | 75 | 45 | 20 | SN52 | 80 | M 52 | SN2 | 3 1/8 | 2 |
| 120 | 85 | 50 | 25 | SN64 | 95 | M 64 | SN 2 1/2 | 3 3/4 | 2 1/2 |

KRAFTHYLSOR

Här presenteras de vanligaste standardmodellerna av krafthylsor. I drivna verktyg ska alltid krafthylsor användas. Att använda blanka hylsor (avsedda för handverktyg) i hydrauliska momentverktyg är förenat med stor fara.

Besök gärna vår hemsida www.momento.se
I vår katalog hittar du våra olika sorters krafthylsor.



□ = Invändig fyrkant

| NV (mm) | Art.nr Invändig fyrkant - 3/4" | Art.nr Invändig fyrkant - 1" | Art.nr Invändig fyrkant - 1 1/2" | Art.nr Invändig fyrkant - 2 1/2" |
|---------|--------------------------------|------------------------------|----------------------------------|----------------------------------|
| 30 | 2-30=1 3/16 | 9-30= 1 3/16 | 5-30= 1 3/16 | - |
| 32 | 2-32 | 9-32 | 5-32 | - |
| 36 | 2-36 | 9-36 | 5-36 | - |
| 41 | 2-41 | 9-41 | 5-41 | - |
| 46 | 2-46=1 13/16 | 9-46=1 13/16 | 5-46=1 13/16 | - |
| 50 | 2-50 | 9-50 | 5-50 | 6-50 |
| 55 | 2-55 | 9-55 | 5-55 | 6-55 |
| 60 | 2-60 | 9-60 | 5-60 | 6-60 |
| 65 | 2-65=2 9/16 | 9-65=2 9/16 | 5-65=2 9/16 | 6-65=2 9/16 |
| 70 | 2-70=2 3/4 | 9-70=2 3/4 | 5-70=2 3/4 | 6-70=2 3/4 |
| 75 | 2-75 | 9-75 | 5-75 | 6-75 |
| 80 | 2-80 | 9-80 | 5-80 | 6-80 |
| 85 | 2-85 | 9-85 | 5-85 | 6-85 |
| 90 | 2-90 | 9-90 | 5-90 | 6-90 |
| 95 | 2-95=3 3/4 | 9-95=3 3/4 | 5-95=3 3/4 | 6-95=3 3/4 |
| 100 | - | 9-100 | 5-100 | 6-100 |
| 105 | - | 9-105 | 5-105 | 6-105 |
| 110 | - | 9-110 | 5-110 | 6-110 |
| 115 | - | 9-115 | 5-115 | 6-115 |

| NV (tum) | Art.nr Invändig fyrkant - 3/4" | Art.nr Invändig fyrkant - 1" | Art.nr Invändig fyrkant - 1 1/2" | Art.nr Invändig fyrkant - 2 1/2" |
|----------|--------------------------------|------------------------------|----------------------------------|----------------------------------|
| 1 3/16 | 2-30=1 3/16 | 9-30= 1 3/16 | 5-30= 1 3/16 | - |
| 1 1/4 | 2-1 1/4 | 9-1 1/4 | 5-1 1/4 | - |
| 1 7/16 | 2-1 7/16 | 9-1 7/16 | 5-1 7/16 | - |
| 1 5/8 | 2-1 5/8 | 9-1 5/8 | 5-1 5/8 | - |
| 1 13/16 | 2-46=1 13/16 | 9-46=1 13/16 | 5-46=1 13/16 | - |
| 2 | 2-2 | 9-2 | 5-2 | 6-2 |
| 2 3/16 | 2-2 3/16 | 9-2 3/16 | 5-2 3/16 | 6-2 3/16 |
| 2 3/8 | 2-2 3/8 | 9-2 3/8 | 5-2 3/8 | 6-2 3/8 |
| 2 9/16 | 2-65=2 9/16 | 9-65=2 9/16 | 5-65=2 9/16 | 6-65=2 9/16 |
| 2 3/4 | 2-70=2 3/4 | 9-70=2 3/4 | 5-70=2 3/4 | 6-70=2 3/4 |
| 2 15/16 | - | 9-2 15/16 | 5-2 15/16 | 6-2 15/16 |
| 3 1/8 | - | 9-3 1/8 | 5-3 1/8 | 6-3 1/8 |
| 3 3/8 | - | 9-3 3/8 | 5-3 3/8 | 6-3 3/8 |
| 3 1/2 | - | 9-3 1/2 | 5-3 1/2 | 6-3 1/2 |
| 3 3/4 | 2-95=3 3/4 | 9-95=3 3/4 | 5-95=3 3/4 | 6-95=3 3/4 |
| 4 | - | 9-4 | 5-4 | 6-4 |
| 4 1/8 | - | 9-105=4 1/8 | 5-105=4 1/8 | 6-105=4 1/8 |
| 4 3/8 | - | - | 5-4 3/8 | 6-4 3/8 |
| 4 1/2 | - | - | 5-4 1/2 | 6-4 1/2 |



WORLDWIDE PRESENCE



MADE IN SWEDEN SINCE 1951 / www.momento.se

MOMENTO
P.O. Box 14
642 21 Flen
Sweden

VISITING ADDRESS
Kungsvägen 68
642 34 Flen
Sweden

CONTACT US
+46 157-690 00
info@momento.se
www.momento.se

