

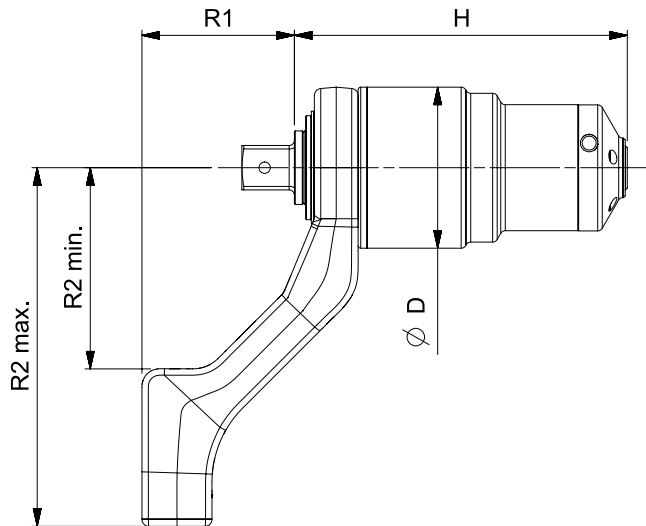


HANDTORQUE® COMPACT SERIES



Sockets not included

- Compact dimensions allow excellent access to applications and easy, safe handling
- Lightweight for torque capacity
- Supplied as standard with an aluminium reaction arm (Steel reactions for HT-52). Other options are available on request, including customised reactions
- Torque multiplication accuracy $\pm 4\%$
- Robust, 48 tooth Anti Wind-Up Ratchet (AWUR) contains the forces generated during tightening for safe and easy operation
- Each multiplier is supplied with its own unique calibration certificate allowing the accurate calculation of input torque for critical applications



4 COMPACT SERIES

180200	HT-52/4.7 1000 N·m ½" in ¾" out
180201	HT-52/22.2 1000 N·m ¾" in ¾" out
180202	HT-52/22.2 1000 N·m ½" in ¾" out
180203	HT-52/22.2 1000 N·m ¾" in ¾" out AWUR
180204	HT-52/22.2 1000 N·m ½" in ¾" out AWUR
180205	HT-52/22.2 1000 N·m ¾" in 1" out AWUR
180206	HT-52/22.2 1000 N·m ½" in 1" out AWUR
180208	HT-72/5.2 1500 N·m ½" in 1" out
180209	HT-72/5.2 1000 N·m ¾" in ¾" out
180210	HT-72/5.2 2000 N·m ¾" in 1" out
180212	HT-72/27 2000 N·m ½" in 1" out
180214	HT-72/27 2000 N·m ½" in 1" out AWUR
180215	HT-92/25 4000 N·m ½" in 1" out AWUR
180216	HT-119/25.5 7000 N·m ½" in 1½" out AWUR



11 NOSE EXTENSIONS FOR 72 SERIES

18349.006	6" long, SPM/SPF
18349.009	9" long, SPM/SPF
18349.012	12" long, SPM/SPF
18349.015	15" long, SPM/SPF
18349.018	18" long, SPM/SPF
18330.50	Telescopic Nose Assembly

The nose extensions shown above can also be used with HT-72s.
Note: Square drive fitted from existing tool. SPM = Spline Male. SPF = Spline Female.

Model	HT-52/4.7	HT-52/22.2	HT52/22.2 AWUR	HT-72/5.2	HT-72/5.2	HT-72/27	HT-72/27 AWUR	HT-92/25 AWUR	HT-119/25.5 AWUR	
Part Number/s	180200	180201 180202	180203 180204 180205 180206	180209 180208	180210	180212	180214	180215	180216	
Multiplication Ratio	4.7:1	22.2:1	22.2:1	5.2:1	5.2:1	27:1	27:1	25:1	25.5:1	
Dimensions (mm)	ØD	52	52	72	72	72	72	92	119	
	H	91	116	130	140	135	137	154	212	
	R1	58	58	58	67	72	72	87	117	
	R2 min.	71	71	71	91	91	91	91	115	151
	R2 max.	131	131	131	166	166	166	166	205	199
Tool Weight (kg)	1.0	1.3	1.4	2.7	2.7	2.7	3.2	5.4	9.3	
Reaction Weight (kg)	0.85	0.85	0.85	0.66	0.66	0.66	0.66	1.35	2.10	